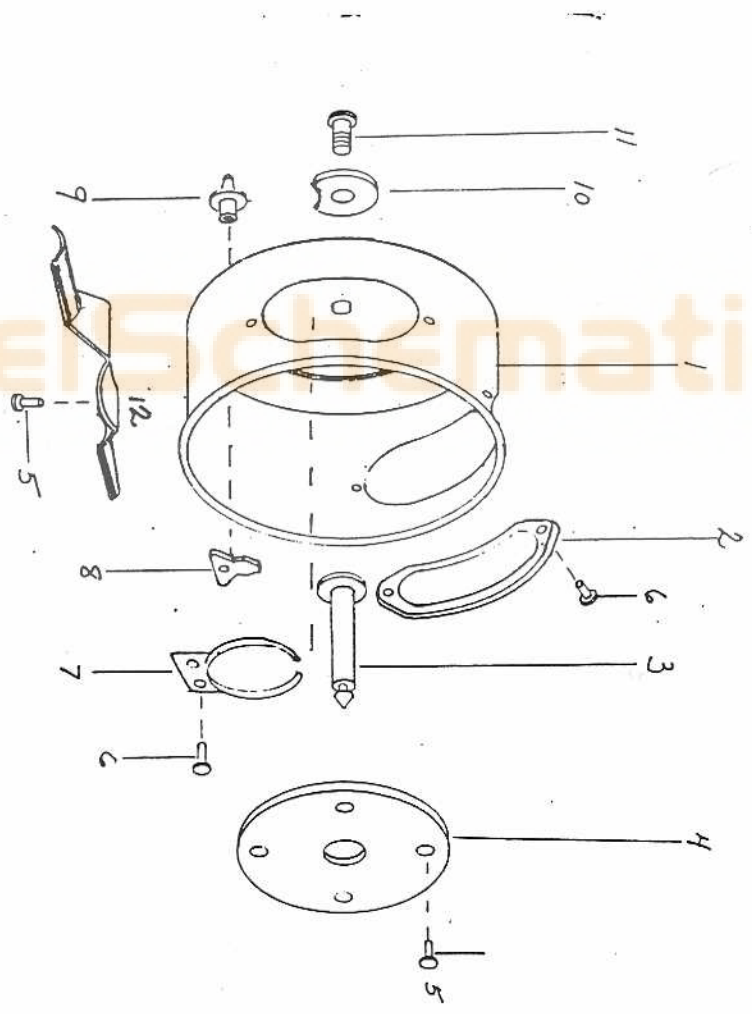


Mod. 60



	PART NUMBER	QUANTITY
1	S-1-60	1
2	23-38/18	1
3	128	1
4	120	1
5	S-3	4
6	23	4
7	B-22	1
8	B-21	1
9	B-13	1
10	127	1
11	NO. IN FIELD	1
12	58-5	1